



300LB



Structure

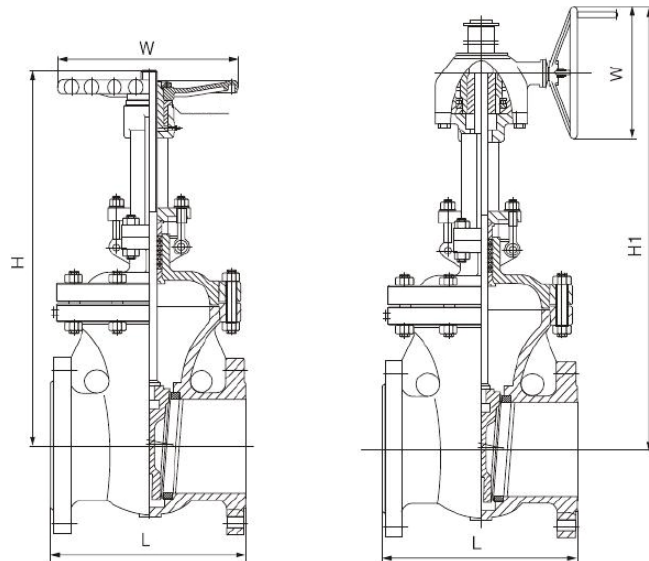


Fig ZRF0

Fig 5ZRF0

Pressure Class 300
Bolted Bonnet
Flexible wedge gate
8° and above: two pieces yoke

Wenzhou Kerui Valve Industry Co., LTD

Address:

No.1 Tantou Village, Yongqiang High-tech Park, Longwan District, Wenzhou City, China

Post Code: 328024

Tel: +86-577-86928881 / +86-577-86990007

Fax: +86-577-86912312

E-mail: sale@createvalve.com / offer@createvalve.com



Main Dimensions & Weight

Size		Dimensions						Weight (kg)		(N.m)	Cv
mm	in	L(RF)	L(RW)	L(RM)	H	H1	W	RF	RM	Torque	
40	1-1/2	190	190	203	425	-	250	30	21	15	-
50	2	216	216	232	467	-	250	32	29	16	-
65	2-1/2	241	241	257	495	-	250	49	43	18	-
80	3	283	283	299	520	-	250	52	49	21	710
100	4	305	305	321	609	-	350	85	77	42	1300
150	6	403	403	419	825	-	450	150	145	86	3100
200	8	419	419	435	1009	-	450	240	227	128	5720
250	10	457	457	473	1193	-	610	380	337	215	8940
300	12	502	502	518	1282	-	610	486	430	289	13350
350	14	762	762	778	1422	-	610	729	654	423	16275
400	16	838	838	854	1549	-	720	931	876	537	21560
450	18	914	914	930	1803	-	720	1504	1300	649	27890
500	20	991	991	1010	1955	-	720	1938	1625	1009	34840
600	24	1143	1143	1165	2425	-	860	3411	2800	1451	51050
650	26	1245	1245	1270	2540	-	860	3570	3100	-	62011
700	28	1346	1346	1372	2641	-	860	4027	3600	-	73046
750	30	1397	1397	1422	2743	-	860	4310	3780	3140	84765
800	32	1524	1524	1553	2857	-	860	4850	4235	-	100580

Wenzhou Kerui Valve Industry Co., LTD

Address:

No.1 Tantou Village, Yongqiang High-tech Park, Longwan District, Wenzhou City, China

Post Code: 328024

Tel: +86-577-86928881 / +86-577-86990007

Fax: +86-577-86912312

E-mail: sale@createvalve.com / offer@createvalve.com



900	36	1727	1727	1756	304 8	-	86 0	6632	590 0	4293	12582 5
100 0	40	1955	1955	-	-	371 3	72 0	8100	-	-	17174 0
105 0	42	2032	2032	-	-	391 6	72 0	9750	-	-	21700 0
120 0	48	2286	2286	-	-	450 1	72 0	1305 0	-	-	32600 0

Wenzhou Kerui Valve Industry Co., LTD

Address:

No.1 Tantou Village, Yongqiang High-tech Park, Longwan District, Wenzhou City, China

Post Code: 328024

Tel: +86-577-86928881 / +86-577-86990007

Fax: +86-577-86912312

E-mail: sale@createvalve.com / offer@createvalve.com