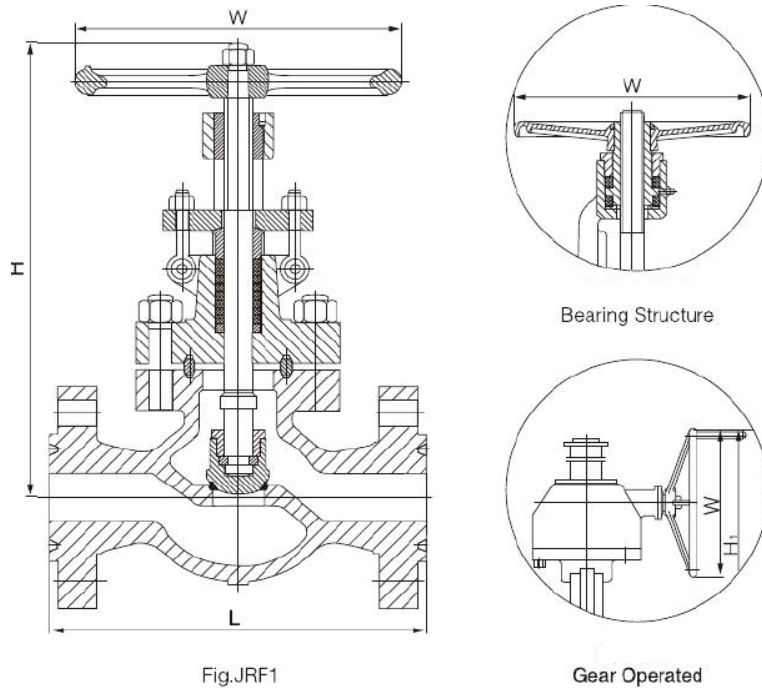




## API 600LB Flanged Stainless Steel Globe Valve



### Structure Diagram



Pressure: Class 600

Bolted Bonnet

6° and above: With Bearing Structure

8° and above: Gear Operated

---

**Wenzhou Kerui Valve Industry Co., LTD**

**Address:**

No.1 Tantou Village, Yongqiang High-tech Park, Longwan District, Wenzhou City, China

**Post Code:** 328024

**Tel:** +86-577-86928881 / +86-577-86990007

**Fax:** +86-577-86912312

**E-mail:** [sale@createvalve.com](mailto:sale@createvalve.com) / [offer@createvalve.com](mailto:offer@createvalve.com)



| No. | Part Name       | Carbon Steel    | Stainless Steel | Alloy Steel     | Low Temperature Steel |
|-----|-----------------|-----------------|-----------------|-----------------|-----------------------|
| 1   | Body            | A216 GR WCB     | A351 GR CF8     | A217 GR WC6     | A352 GR LCB           |
| 2   | Seat            | A105            | /               | A182 GR F304    | A182 GR F304          |
| 3   | Disk            | A216 GR WCB     | A351 GR CF8     | A217 GR WC6     | A352 GR LCB           |
| 4   | Stem            | A276 TYPE410    | A276 TYPE304    | A182 GR F22     | A276 TYPE 304         |
| 5   | Bolt            | A193 GR B7      | A193 GR 8       | A193 GR B7      | A193 GR 8             |
| 6   | Nut             | A194 GR 2H      | A194 GR B8      | A194 GR 4       | A194 GR B8            |
| 7   | Back Seat       | A182GR F6a      | A182 GR F304    | A182 GR F304    | A182 GR F304          |
| 8   | Gasket          | Graphite+SS304  |                 |                 |                       |
| 9   | Packing         | Graphite        |                 |                 |                       |
| 10  | Pin             | A194 GR 2H      | A276 TYPE304    | A276 TYPE 410   | A276 TYPE 304         |
| 11  | Packing Bushing | A182GR F6a      | A182 GR F304    | A182 GR F6a     | A182 GR F304          |
| 12  | Eyebolt         | A193 GR B7      | A193 GR 8       | A193 GR B7      | A193 GR 8             |
| 13  | Eyebolt Nut     | A194 GR 2H      | A194 GR B8      | A194 GR 4       | A194 GR B8            |
| 14  | Gland           | A216 GR WCB     | A351 GR CF8     | A216 GR WCB     | A352 GR LCB           |
| 15  | Bonnet          | A216 GR WCB     | A351 GR CF8     | A216 GR WCB     | A352 GR LCB           |
| 16  | Stem Nut        | B148 UNS C95600 | B148 UNS C95600 | B148 UNS C95600 | B148 UNS C95600       |
| 17  | Handwheel       | A197            | A197            | A197            | A197                  |
| 18  | Handwheel Nut   | A108 GR 1020    | A182 GR F304    | A108 GR 1020    | A182 GR F304          |

| Classes | Size |       | Dimensions |        |        |     |    |    | Weight (Kg) |    | Torque | Cv |
|---------|------|-------|------------|--------|--------|-----|----|----|-------------|----|--------|----|
|         | mm   | In.   | L (RF)     | L (BW) | L (RJ) | H   | H1 | W  | RF          | BW |        |    |
|         | 40   | 1 1/2 | 241        | 241    | 241    | 425 | -  | 20 | 34          | 32 | 30     | -  |

**Wenzhou Kerui Valve Industry Co., LTD**

**Address:**

No.1 Tantou Village, Yongqiang High-tech Park, Longwan District, Wenzhou City, China

**Post Code:** 328024

**Tel:** +86-577-86928881 / +86-577-86990007

**Fax:** +86-577-86912312

**E-mail:** [sale@createvalve.com](mailto:sale@createvalve.com) / [offer@createvalve.com](mailto:offer@createvalve.com)



|     |     |       |     |     |     |      |         |         |      |      |      |      |
|-----|-----|-------|-----|-----|-----|------|---------|---------|------|------|------|------|
| 600 |     |       |     |     |     |      |         | 0       |      |      |      |      |
|     | 50  | 2     | 292 | 292 | 292 | 460  | -       | 25<br>0 | 52   | 44   | 66   | -    |
|     | 65  | 2 1/2 | 330 | 330 | 330 | 505  | -       | 25<br>0 | 63   | 53   | 103  | -    |
|     | 80  | 3     | 356 | 356 | 359 | 556  | -       | 35<br>0 | 87   | 75   | 175  | 100  |
|     | 100 | 4     | 432 | 432 | 435 | 670  | -       | 45<br>0 | 144  | 123  | 332  | 185  |
|     | 150 | 6     | 559 | 559 | 562 | 905  | -       | 61<br>0 | 355  | 298  | 819  | 440  |
|     | 200 | 8     | 660 | 660 | 664 | 1060 | -       | 61<br>0 | 555  | 499  | 1208 | 780  |
|     | 250 | 10    | 787 | 787 | 791 | -    | 1219    | 61<br>0 | 875  | 793  | 2266 | 1200 |
| 300 | 12  | 838   | 838 | 841 | -   | 1570 | 61<br>0 | 1280    | 1134 | 4140 | 1350 |      |

---

**Wenzhou Kerui Valve Industry Co., LTD**

**Address:**

No.1 Tantou Village, Yongqiang High-tech Park, Longwan District, Wenzhou City, China

**Post Code:** 328024

**Tel:** +86-577-86928881 / +86-577-86990007

**Fax:** +86-577-86912312

**E-mail:** [sale@createvalve.com](mailto:sale@createvalve.com) / [offer@createvalve.com](mailto:offer@createvalve.com)