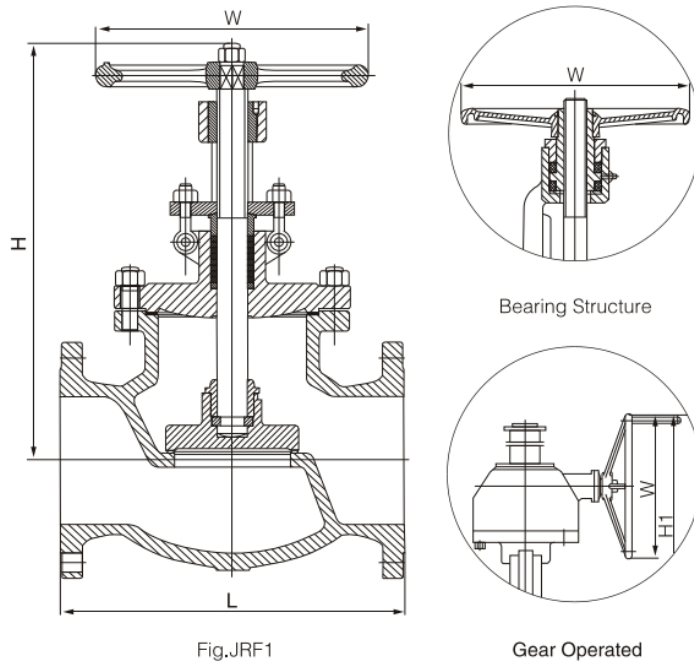




## API 300LB Flanged Stainless Steel Globe Valve



### Structural Diagram



Pressure: Class 300

Bolted Bonnet

Class 150, 14° and above: With Bearing Structure

Class 300, 10° and above: With Bearing Structure

Class 300, 16° and above: Gear Operated

---

**Wenzhou Kerui Valve Industry Co., LTD**

**Address:**

No.1 Tantou Village, Yongqiang High-tech Park, Longwan District, Wenzhou City, China

**Post Code:** 328024

**Tel:** +86-577-86928881 / +86-577-86990007

**Fax:** +86-577-86912312

**E-mail:** [sale@createvalve.com](mailto:sale@createvalve.com) / [offer@createvalve.com](mailto:offer@createvalve.com)



**Parameters**

No.	Part Name	Carbon Steel	Stainless Steel	Alloy Steel	Low Temperature Steel
1	Body	A216 GR WCB	A351 GR CF8	A217 GR WC6	A352 GR LCB
2	Seat	A105	/	A182 GR F304	A182 GR F304
3	Disk	A216 GR WCB	A351 GR CF8	A217 GR WC6	A352 GR LCB
4	Stem	A276 TYPE410	A276 TYPE304	A182 GR F22	A276 TYPE 304
5	Bolt	A193 GR B7	A193 GR 8	A193 GR B7	A193 GR 8
6	Nut	A194 GR 2H	A194 GR B8	A194 GR 4	A194 GR B8
7	Back Seat	A182GR F6a	A182 GR F304	A182 GR F304	A182 GR F304
8	Gasket	Graphite+SS304			
9	Packing	Graphite			
10	Pin	A194 GR 2H	A276 TYPE304	A276 TYPE 410	A276 TYPE 304
11	Packing Bushing	A182GR F6a	A182 GR F304	A182 GR F6a	A182 GR F304
12	Eyebolt	A193 GR B7	A193 GR 8	A193 GR B7	A193 GR 8
13	Eyebolt Nut	A194 GR 2H	A194 GR B8	A194 GR 4	A194 GR B8
14	Gland	A216 GR WCB	A351 GR CF8	A216 GR WCB	A352 GR LCB
15	Bonnet	A216 GR WCB	A351 GR CF8	A216 GR WCB	A352 GR LCB
16	Stem Nut	B148 UNS C95600	B148 UNS C95600	B148 UNS C95600	B148 UNS C95600
17	Handwheel	A197	A197	A197	A197
18	Handwheel Nut	A108 GR 1020	A182 GR F304	A108 GR 1020	A182 GR F304

Classes	Size		Dimensions						Weight (Kg)		Torque	Cv
	mm	in.	L (RF)	L (BW)	L (RJ)	H	H1	W	RF	BW		

**Wenzhou Kerui Valve Industry Co., LTD**

**Address:**

No.1 Tantou Village, Yongqiang High-tech Park, Longwan District, Wenzhou City, China

**Post Code:** 328024

**Tel:** +86-577-86928881 / +86-577-86990007

**Fax:** +86-577-86912312

**E-mail:** [sale@createvalve.com](mailto:sale@createvalve.com) / [offer@createvalve.com](mailto:offer@createvalve.com)



300	40	1 1/2	229	229	241	365	-	20 0	27	21	24	-
	50	2	267	267	283	435	-	20 0	36	30	30	-
	65	2 1/2	292	292	308	476	-	25 0	47	39	51	-
	80	3	318	318	333	479	-	25 0	62	50	85	100
	100	4	356	356	371	581	-	35 0	102	83	145	185
	150	6	444	444	460	657	-	45 0	176	146	319	440
	200	8	559	559	575	724	-	45 0	288	244	617	810
	250	10	622	622	638	800	-	86 0	571	505	1126	1260
	300	12	711	711	727	900	-	86 0	770	669	1988	1890
	350	14	838	828	-	1092	-	86 0	876			2441
	400	16	863	863	-	-	1371	61 0	1200			3234
	450	18	977	977	-	-	1473	61 0	1600			4183
	500	20	1016	1016	-	-	1574	72 0	2100			5226
600	24	1346	1346	-	-	1803	72 0	3150			7657	

These parameters are for reference only. Specific information is subject to the drawing paper. Please contact us for more information.

---

**Wenzhou Kerui Valve Industry Co., LTD**

**Address:**

No.1 Tantou Village, Yongqiang High-tech Park, Longwan District, Wenzhou City, China

**Post Code:** 328024

**Tel:** +86-577-86928881 / +86-577-86990007

**Fax:** +86-577-86912312

**E-mail:** [sale@createvalve.com](mailto:sale@createvalve.com) / [offer@createvalve.com](mailto:offer@createvalve.com)